

LH-2703 27-INCH 1080P ERGONOMIC LCD DESKTOP MONITOR



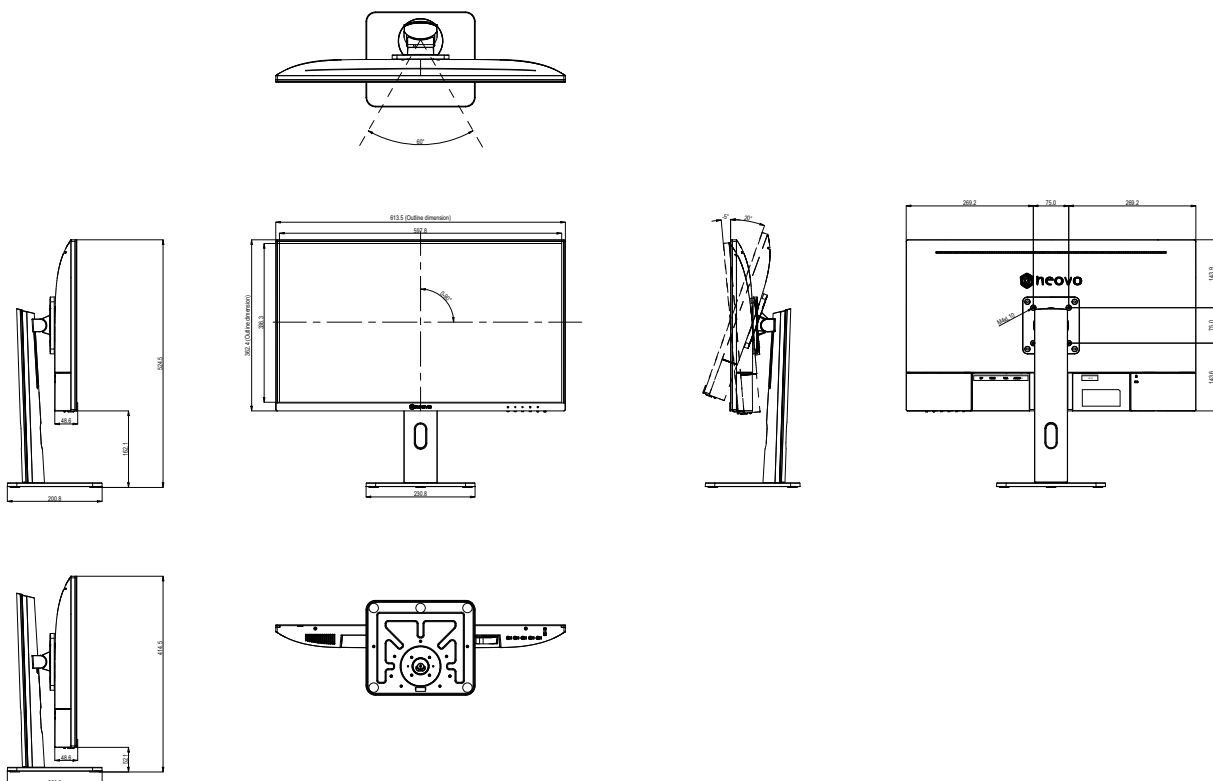
FEATURES

- Enhanced Ergonomic Design for Optimal Comfort: Features 110mm height adjustment, 30° swivel, 90° rotation, and -5° to 20° tilt to reduce physical strain and boost user efficiency.
- Ensuring eye comfort: Equipped with flicker-free and low blue light technology, aiding in reducing eye fatigue and supporting prolonged comfortable viewing for office tasks.
- High 100Hz Refresh Rate for Smooth Visuals: Ensures fluid and clear visuals during intensive multitasking and multimedia tasks, enhancing productivity.
- Crisp Full HD and IPS Display: Experience consistent clarity and color accuracy from all viewing angles, suitable for various detailed works and collaborative projects.
- Multiple Ports for Easy Connectivity: Comes with DisplayPort, HDMI, and VGA ports to ensure seamless integration with a variety of devices, maintaining continuous workflow efficiency.



The LH-2703 monitor is designed for modern enterprises, featuring ergonomic adjustments such as 110mm height, 30° swivel, 90° rotation, and -5° to 20° tilt for a comfortable and healthier viewing experience. With a 100Hz refresh rate and Full HD IPS display, it ensures seamless visuals and color accuracy, catering to various business needs. Additionally, it offers multiple ports including DisplayPort, HDMI, and VGA for easy integration into any office environment, promoting efficient workflow and increased productivity for teams.

TECHNICAL DRAWING



SPECIFICATIONS

Panel	
Panel Type	LED-Backlit TFT LCD (IPS Technology)
Panel Size	27.0"
Max. Resolution	FHD 1920 x 1080
Pixel Pitch	0.311 mm
Brightness	250 cd/m ²
Contrast Ratio	20,000,000 :1 (DCR)
Viewing Angle (H/V)	178°/178°
Display Colour	16.7M
Response Time	5 ms
Frequency	
Frequency (H)	30 KHz-113 KHz
Frequency (V)	48 Hz-100 Hz
Signal Input	
DisplayPort	x 1
HDMI	1.4 x 1
VGA	15-Pin D-Sub x 1
Audio	
Audio In	Stereo Audio Jack (3.5 mm)
Internal Speakers	1 W x 2
Power	
Power Supply	Internal
Power Requirements	AC 100-240V, 50/60 Hz
On Mode	21W (On)
Standby Mode	< 0.5W
Off Mode	< 0.3W
Operating Conditions	
Temperature	0°C-40°C (32°F-104°F)
Humidity	20%-85% (non-condensing)
Storage Conditions	
Temperature	-20°C-60°C (-4°F-140°F)
Humidity	5%-95% (non-condensing)
Mounting	
VESA FPM/PMI	Yes (75 x 75 mm)
Stand	
Tilt	-5° to 20°
Pivot	0° to 90°
Swivel	± 30°
Height Adjustment	0-110 mm
Security	
Kensington Security Slot	Yes
Dimensions	
Product with Base (W x H x D)	613.5 x 524.5 x 200.8 mm (24.2" x 20.7" x 7.9")
Product w/o Base (W x H x D)	613.5 x 362.4 x 48.6 mm (24.2" x 14.3" x 1.9")
Packaging (W x H x D)	718.0 x 470.0 x 168.0 mm (28.3" x 18.5" x 6.6")
Weight	
Product with Base	5.9 kg (13.0 lb)
Product w/o Base	3.7 kg (8.2 lb)
Packaging	7.5 kg (16.5 lb)
Regulation Approval	
Certifications & Compliance	CE, LVD, WEEE, RoHS, REACH, UKCA, FCC, ICES 003, EAC
Accessories	
Supplied	HDMI Cable, Power Cord, Quick Start Guide
Optional Accessories	
Wall Mount	DMK-01 WMA-01 WMK-01

